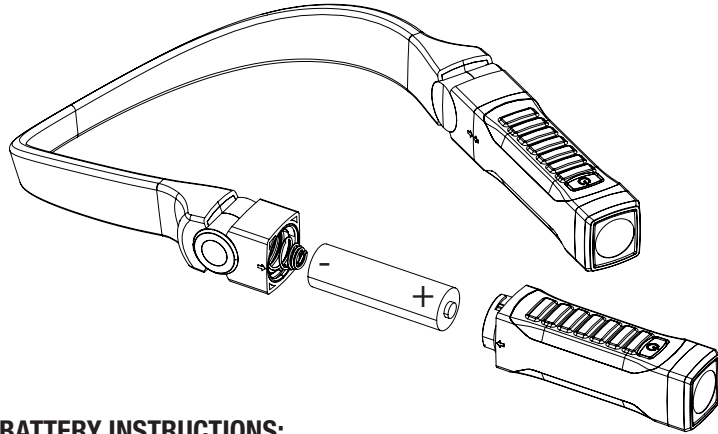




10990

1-Year Limited Warranty
Customer Service: 800-769-8370
or 952-943-1300
Website: www.yellowjacket.com



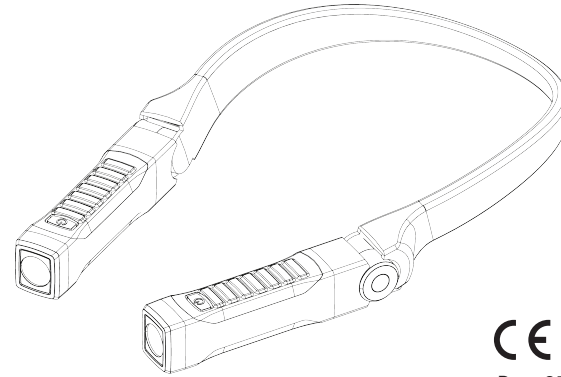
BATTERY INSTRUCTIONS:

- 2 AA batteries are included
- Remove insulator from batteries before use
- Twist the body of the light counterclockwise so the arrows are no longer aligned
- Remove the old batteries and insert batteries in correct polarity direction from the diagram above; always replace with new AA batteries — never mix old and new batteries
- Re-assemble and lock by twisting the body clockwise and aligning the arrows
- Failure to insert batteries in the correct polarity as indicated in the diagram may shorten the life of the batteries or cause batteries to leak
- Do not dispose of batteries in fire — batteries should always be recycled or disposed of as per state and local guidelines



10990

1-Year Limited Warranty
Customer Service: 800-769-8370
or 952-943-1300
Website: www.yellowjacket.com



  
Prop 65 Compliant

USE INSTRUCTIONS:

- There are two power switches—each light head operates separately
First Click- ON | HIGH
Second Click- ON | LOW
Third Click- OFF

WARNING:

- This product is not a toy — do not leave children unsupervised with this product
- Do not look directly at the light or shine the light into eyes
- Always store in a safe, dry location